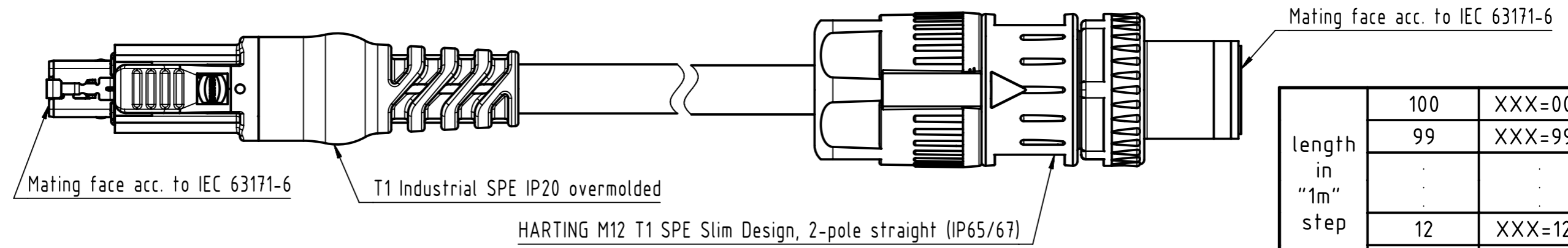
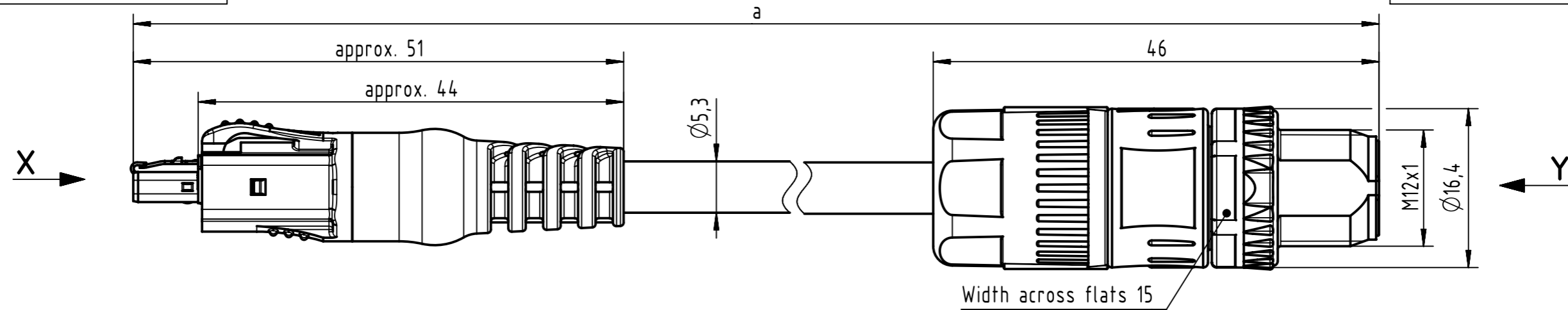


Connector Location A

Connector Location B

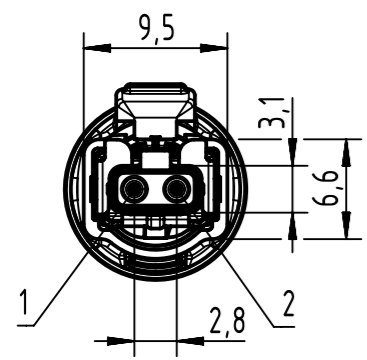


length in "1m" step	100	XXX=000
	99	XXX=990
	.	.
	12	XXX=120
	11	XXX=110
length in "0.1m" step	10	XXX=100
	9.9	XXX=099
	9.8	XXX=098
	.	.
	0.5	XXX=005
	0.4	XXX=004
	0.3	XXX=003
	0.2	XXX=002
Step	a [m]	XXX

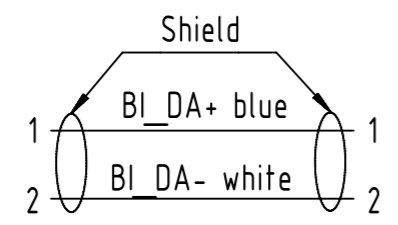
6.0 to 100	±1%
0.6 to 5.9	+0.04
0.2 to 0.5	+0.02
a [m]	Tolerance

HARTING T1 SPE PUR 2xAWG 22/7 yellow	33280214.002XXX
Type of cable	Part no.

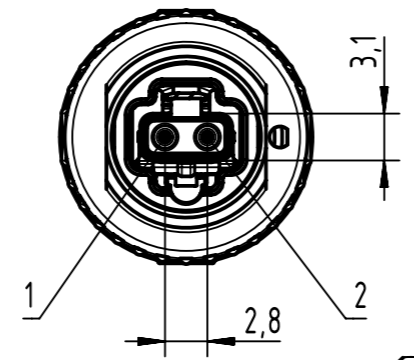
X male



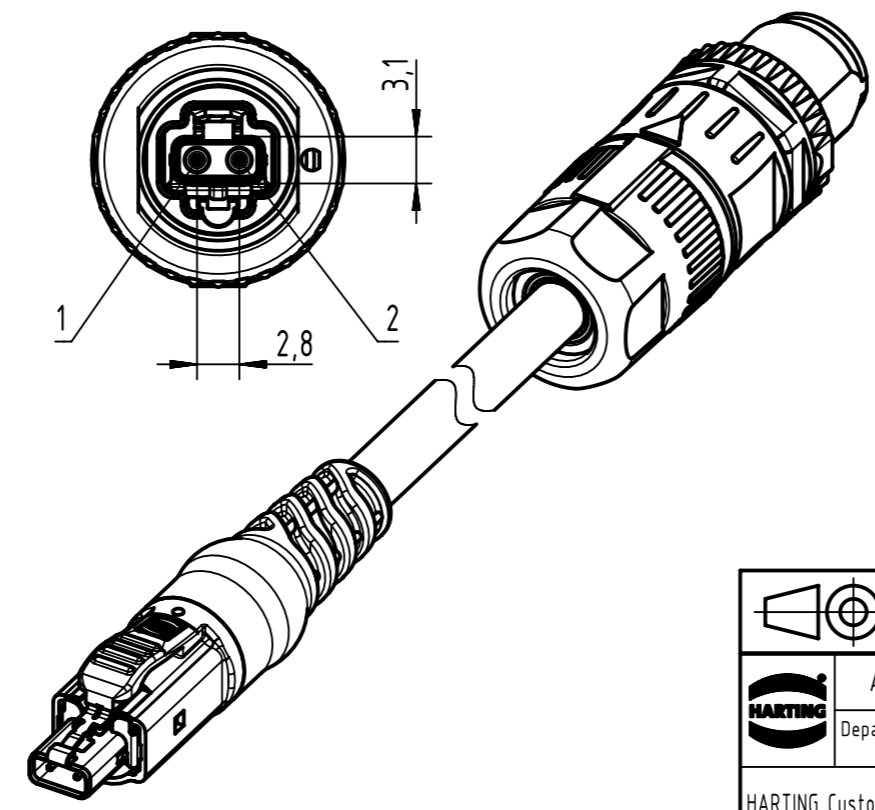
Loading Plan



Y male



Temperature range:
 - Fixed installation: -40°C ... +80°C
 - Flexible installation: -25°C ... +80°C



	All rights reserved	Created by MUNTEANV Muntean	Inspected by 402676 Gross	Standardisation MUNTEANV Muntean	Date 2022-07-22	State Final Release
	Department HCS - RO	Title T1 IP20 - M12 T1 SPE 1x2xAWG22/7 PUR		Doc-Key / ECM-Nr. 101017378/UGD/000/A 500000220839		
HARTING Customised Solutions D-32339 Espelkamp		Type TB	Number 33280214.002XXX		Rev. A	Page 1/1